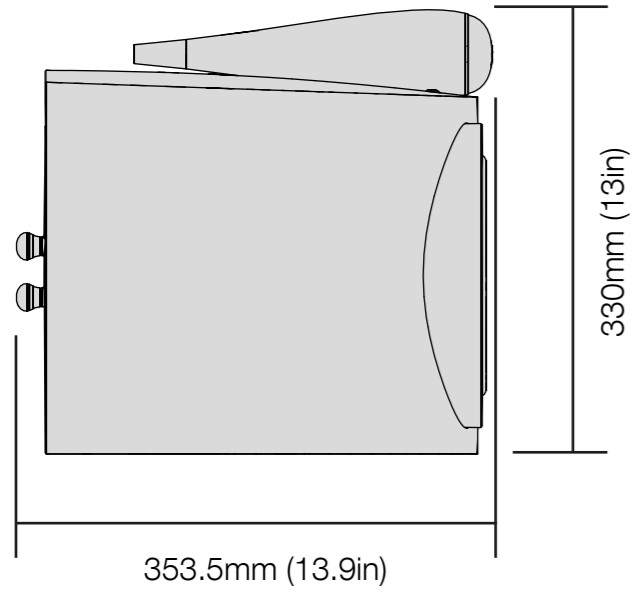


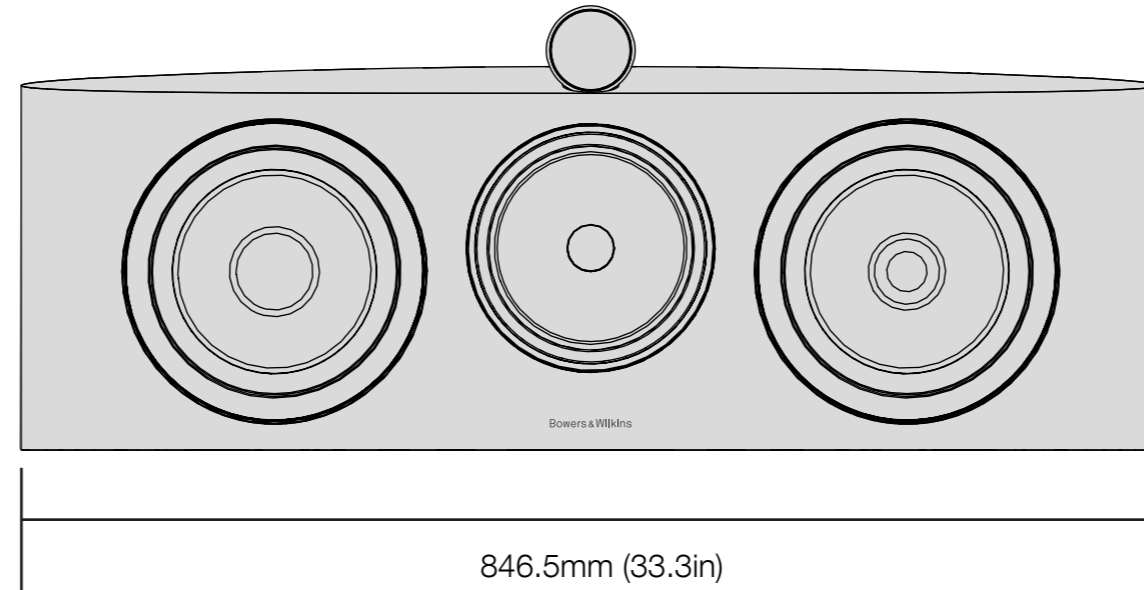
# Bowers & Wilkins

# HTM1 D3

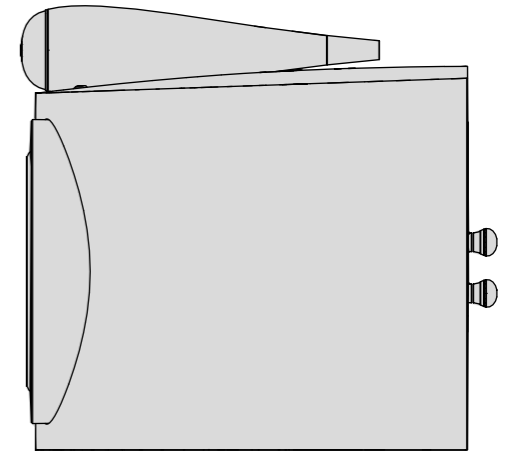
SIDE



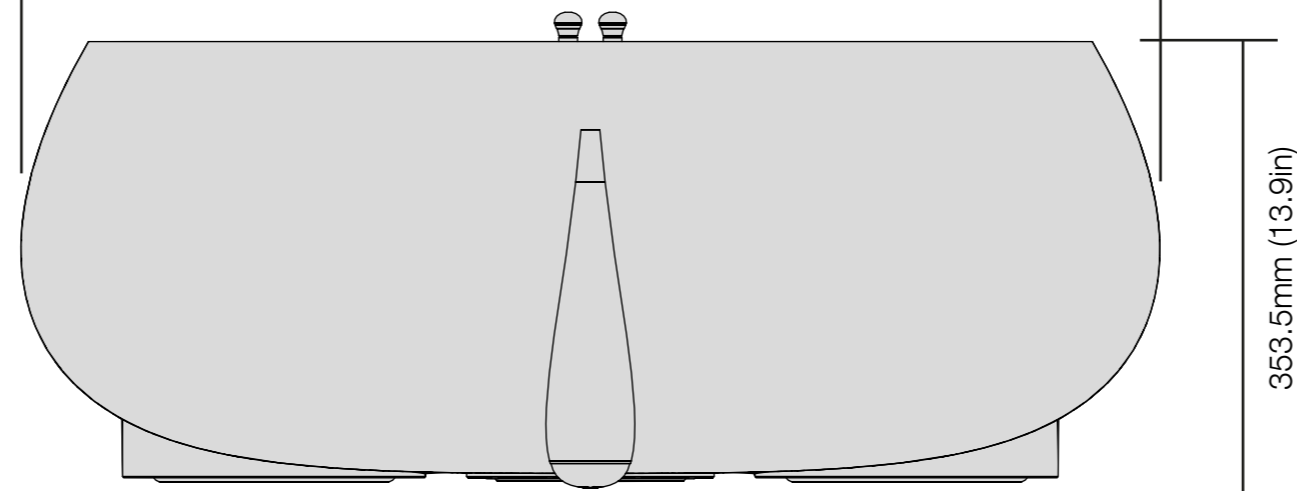
FRONT



SIDE



TOP



BACK

